

# Series 1500

## WRAP AROUND LABELERS



The **Series 1500** is LSI's line of labelers specifically designed for wrap around labeling of products such as bottles, vials, or cans. The **Series 1500** is designed to work with any of LSI's standard labeling heads such as the Series 40 Apply Only Labeling Head and Series 20 Print & Apply Labeling Head. The **Series 1500** includes such features as:

- Rigid mounting of the labeling head(s) for high accuracy labeling
- Bright LCD digital display, easy to read, simple menus, remote mounting available
- PLC Controls - flexible, I/O expansion kit upgrade optional
- Infeed Systems such as the SW Spacer Wheel or Dual Spacer Belts
- Re-settable product and label counters
- 50 recipe storage locations, for easy set-up and repeatable product change over
- Auto Teach label sensing
- Easy thread nip roller latch, for quicker roll changes
- Heavy duty aluminum plate and stainless steel construction, designed for 24 x 7 duty
- Available in Right or Left Hand Configurations
- Thermal Transfer or Hot Stamp Date/Lot Coding
- Remote Display Mounting

Optional Bar Code Reader can be installed on the labeler

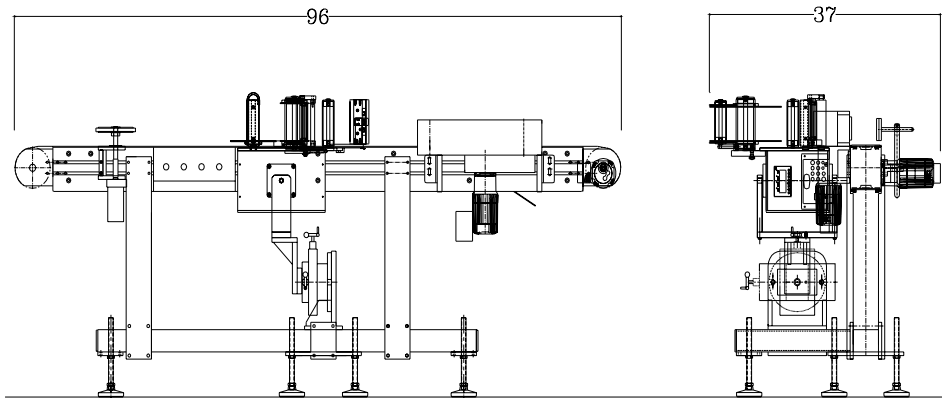


**Labeling Systems Inc.**



32 Spruce Street  
Oakland, NJ 07436  
Tel: (201) 405-0767  
Fax: (201) 405-1179

Email: [LSI@LabelingSystems.com](mailto:LSI@LabelingSystems.com)  
[www.labelingsystems.com](http://www.labelingsystems.com)

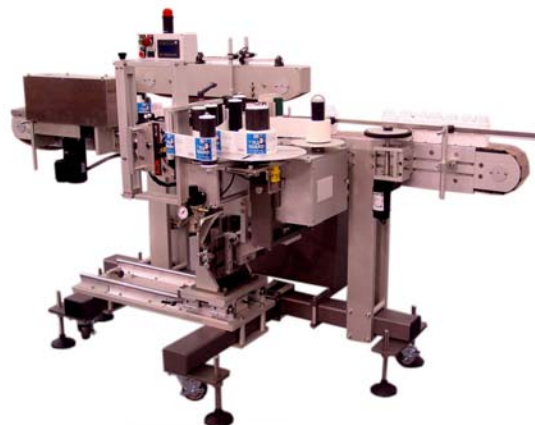
# Specifications



<b>Performance</b>	
Speed	up to 120 per minute
Accuracy	+/- 1/32
<b>Product Specifications</b>	
Type	Straight sided bottle, vials, can or other cylinder type
Diameter	1/2" min to 8" max
Height	1" min to 14" max
<b>Label Specifications</b>	
Roll Size	12" O.D. on 3" core
Material	Film or paper
<b>Infeed Options</b>	
Type	Spacer Wheel, Dual Spacer Belts, Infeed Screw
<b>Conveyor</b>	
Type	Aluminum plate – delrin chain
Avail. Lengths	5.5', 8.0', 10.0'
Widths	3", 4.5", 6"
Heights +/- 2"	28", 32", 36", 40", 44"
<b>System Frame and Head Mounting</b>	
Type	Fully integrated aluminum/steel frame, leveling pads std. and castors optional
<b>Utility Requirements</b>	
Electrical	115v 60 cyl 10 amp
Air	None (some options may require air)

<b>Labeling Head Options</b>	
Series 30 Apply Only Stepper motor drive with a 5" wide web capacity	
Series 40 Apply Only Stepper motor drive with 5" or 7" wide web capacity. PLC controls and self teaching label sensor are std.	
Series 20 Print & Apply Available with any OEM print engine. PLC controls are std.	

The labeler can be reconfigured for panel labeling with the addition of the Top Hold Down module



**LSI**  
**Labeling Systems Inc.**  
 32 Spruce Street  
 Oakland, NJ 07436  
 Tel: (201) 405-0767  
 Fax: (201) 405-1179  
 www.labelingsystems.com  
 Email: [LSI@LabelingSystems.com](mailto:LSI@LabelingSystems.com)

**SERIES 1500**