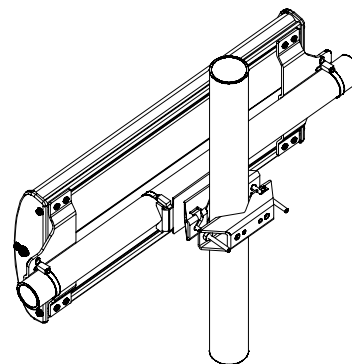


# Data Sheet

May 3, 2005, Rev 1.0

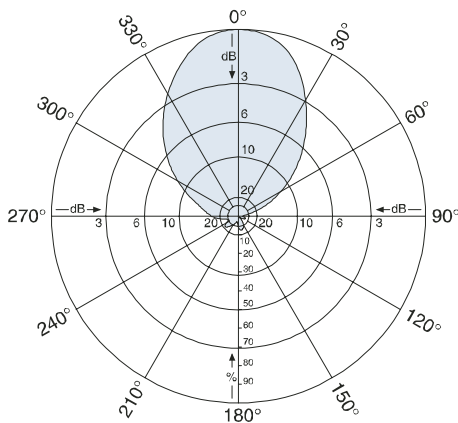
# HI483-423

## 865–928 MHz RFID Antenna

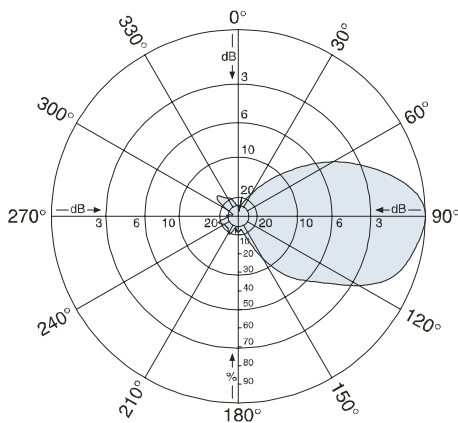


### Product Overview

The HI483-423 antenna is a high-power, directional LHCP antenna suitable for long-range, narrow beam RFID applications. It has circular polarization and covers both North American (FCC) 902–928 MHz and European (ETSI) 865–869.85 MHz UHF frequency bands.



HI483-423 H-Plane Azimuth Pattern



HI483-423 E-Plane Elevation Pattern

### Electrical Specifications

Parameter	Value
Frequency	865 – 928 MHz
Polarization	Circular
Gain	8 dBic
VSWR	1.3:1
Front to back ratio	>20 dB
Axial ratio	3 dB
Feed Power	100W maximum

### Mechanical Specifications

Parameter	Value
Dimensions	12.2 in x 10.3 in x 2.4 in 310 mm x 262 mm x 59 mm
Weight	3.8 lb (1.7 kg)
Material	Fiberglass (Stainless Steel mounting hardware)

#### SAMSys Technologies, Inc.

2525 Meridian Parkway  
Lake Level Suite 60  
Durham, NC 27713  
877-367-4342 (toll free)  
919-281-1541

[www.samsys.com](http://www.samsys.com)

